

# Automatic Shut-off Bypass Valve Type ASBV

up to 345 bar, 150 litres per minute

Superior performance  
throughout the full  
operational range

## Features:

- 316L stainless steel
- NACE MR-01-75 option



## INTRODUCTION:-

Control valve type ASBV4018 is a 2- way, 2-position, normally open, spring return, ball seated, pressure sensing valve. The valve is used in parallel with low CV, hand loaded pressure regulators to permit a high bypass flow until a pre-determined, set point pressure is attained. At the set point pressure the valve blocks, and the system fluid is then directed to pass exclusively through the pressure regulator. The valve incorporates a piston sensing the downstream pressure; this reacts against an adjustable return spring. When downstream pressure falls below the set point the valve will re-open to permit a bypass flow. There is a small deadband between shut-off and re-open pressure.

Materials of construction are predominantly 316L stainless steel, with some wetted parts CA104 Aluminium Bronze, Victrex PEEK and PTFE. Standard O-ring seal material is Nitrile.

The valve is specifically designed for application in offshore/onshore oil and gas production control systems, suitable for a variety of control fluids at working pressures up to 345 bar. Optional springs can be fitted to give different set pressure ranges; consult Bifold Fluidpower.

## OPERATING PARAMETERS:-

### Working Pressure :-

345 bar (5000 psi) max. liquid service

### Set Point Pressure Range :-

138 bar to 248 bar (2000 psi to 3600 psi)

### Operating Media:-

Mineral oil, water, water glycol mixtures, injection sea water, various chemicals.

### Connections:-

P & S : 1/2 NPT female

P<sub>L</sub> : 1/8 NPT female (EP model only)

### Working Temperature:-

See elastomer options

### Flow rate, nominal:-

50 litres/min @ 10 bar Dp

150 litres/min @ 10 bar Dp \*

\* available 2005; consult Bifold Fluidpower

### Recommended Filtration:-

10 micron

## FLUID CLEANLINESS

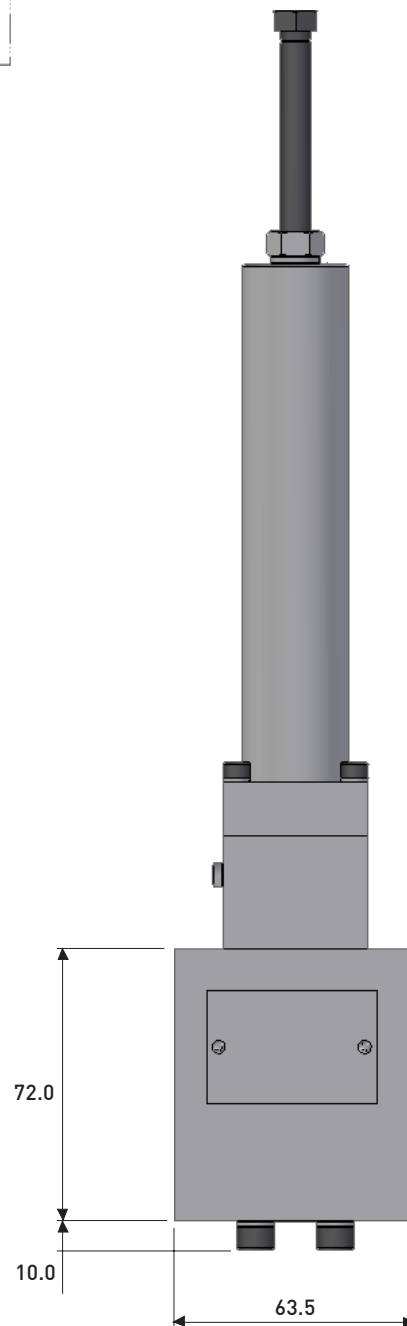
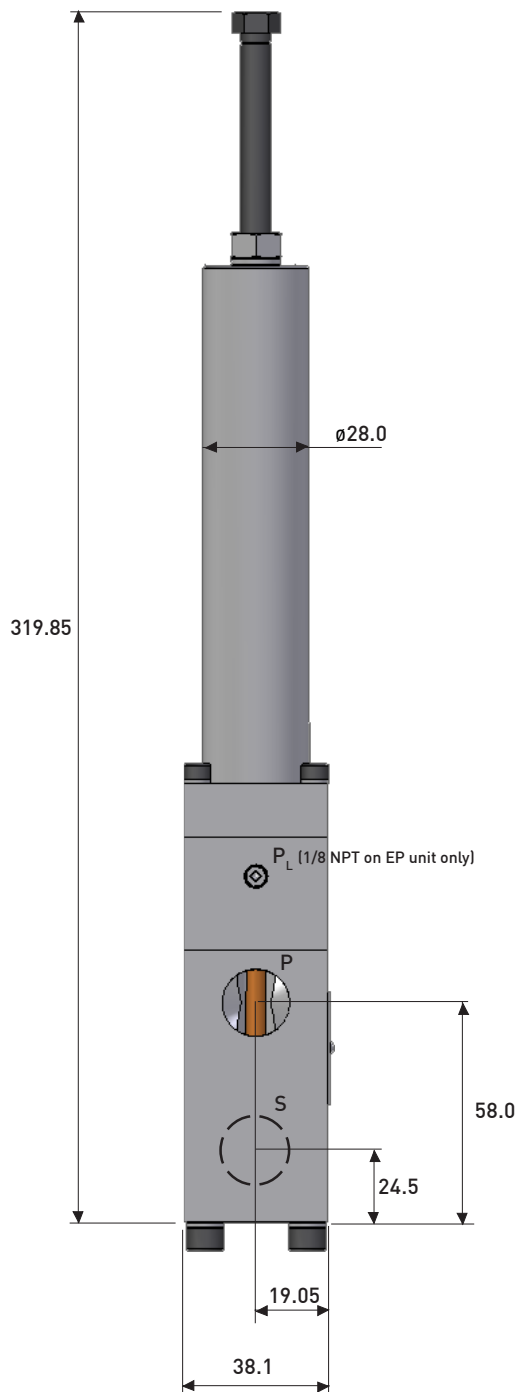
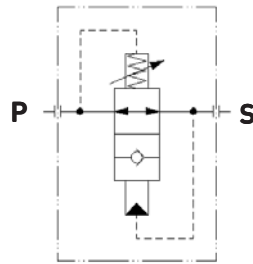
Prior to installation of the control valves it is recommended that the hydraulic system is thoroughly cleaned and flushed to NAS 1638 Class 9 (ISO 4406 Class 18/15) or better. Where this level of cleanliness cannot be guaranteed it is recommended that suitable filtration local to the valve or control system as appropriate is installed.

## SELECTION CHART:

<b>ASBV40</b>			Model Code
<b>18</b>	50 lpm nominal		Flow Rating
<b>35</b>	150 lpm nominal (available 2005. Consult Bifold Fluidpower)		
<b>05</b>	345 bar		Working Pressure
<b>S</b>	Nitrile	(-30°C to +130°C)	O-ring material
<b>V</b>	Viton	(-20°C to +180°C)	
<b>EP</b>	Externally Piloted		
<b>ASBV40 18 / 05 / S / EP</b>			Example Code

**EXAMPLE MODEL:-**

**ASBV4018/05/S**



### **UK Office**

Greenside Way, Middleton, Manchester, M24 1SW

Tel:- +44 (0)161 345 4777

Fax:- +44 (0)161 345 4780

E-Mail:- sales@bifold-fluidpower.co.uk

Web:- www.bifold-fluidpower.co.uk

### **USA Office**

11490 Westheimer, Suite 900, Houston, Texas , 77077

Tel:- +1 713 783 4253

Fax:- +1 713 783 0067

Email:- sales@bifold-fluidpower.com

Web:- www.bifold-fluidpower.com

### **Asia Pacific Office**

424 Balestier Road #02-08, Giffard Mansion, Singapore 329810

Tel:- +65 6735 1323

Fax:- +65 6735 1367

E-Mail:- bifold@singnet.com.sg

Web:- www.bifold-fluidpower.co.uk

### **Quality Assurance**

*All Bifold Fluidpower products are manufactured to a most stringent QA programme. Every care is taken at all stages of manufacture to ensure that every product will give optimum performance and reliability. We are recognised to EN ISO 9001:2000. Functional test certificate, letter of conformity and copies of original mill certificates, providing total traceability are available on request, to BSEN 10204 3.1.B where available. The manufacturer reserves the right to make changes to the specifications and design etc., without prior notice*

### **Accuracy of information**

*We take care to ensure that product information in this catalogue is reasonably accurate and up-to-date. However, our products and services are continually updated so to ensure accurate and up-to-date information please refer to the issue list on the web site or contact a member of our sales team.*