

Excess flow check valves

Types 381001 to 381171

The excess flow check valve is an inline mounting valve which prevents the loss of control fluid in the event of a line break or high leakage downstream. Typically installed in service lines to actuators vulnerable to damage, and located within a system control panel close to the main directional control valve.

The shutoff flow rate is internally adjustable, so a given valve will cover a range of shutoff flow conditions. The valve is designed to pass fluid normally until the flow rate reaches the predetermined setting – at which point a ball check valve seals off the flow.

In many system applications it will be necessary to bypass the excess flow check during startup operations. For this reason the valve can be supplied with either a tapping for external bypass or with an integral valve for internal bypass. The check valve can also be supplied with automatic reset, where an internal orifice allows a continuous bypass bleed.

The check valve is manufactured from 316 stainless steel and CA104 aluminium bronze materials and complies with the requirements of NACE Standard MR-01-75 (latest revision as applicable).

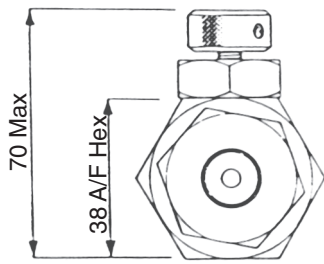
Working pressure	690 bar (10,000 psi) max.
Operating media	Mineral oils, water, water-glycol mixtures.
Connection	1/4" NPT
Shutoff flow ranges	0.4 to 2.0 litres/minute 2.0 to 5.0 litres/minute
Working temperature	Standard -20°C to +200°C. Arctic Available on application.
Recommended filtration	25 micron.
Weight	0.8 Kg



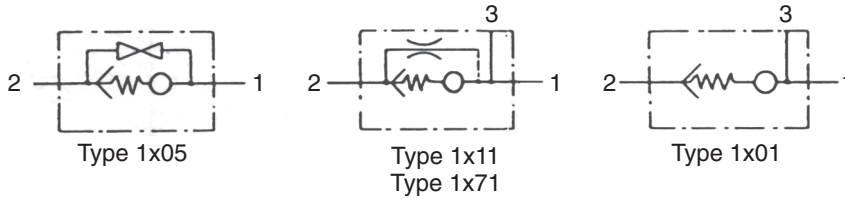
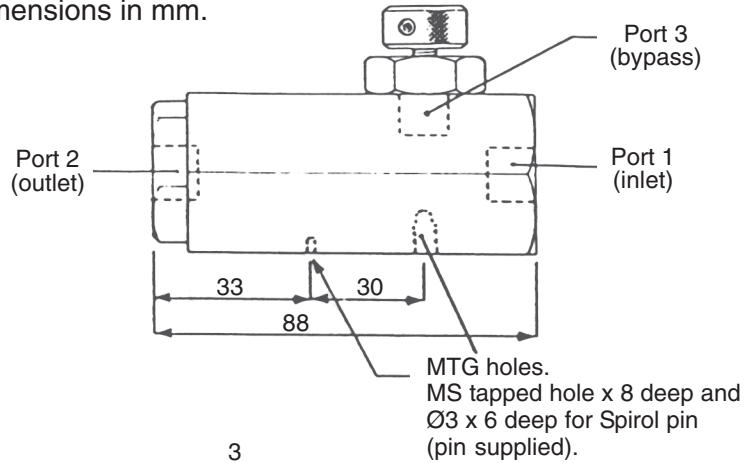
These valves conform to Directive 94/9/EC relating to equipment intended for use in potentially explosive atmospheres and is ATEX (ATmosphere EXplosible) certified.



Marshalsea Hydraulics has been assessed by SGS Société Générale de Surveillance SA and certified as meeting the requirements of ISO 9001:2000 for the design, development, manufacture and servicing of hydraulic pumps, relief valves and intensifiers.



All dimensions in mm.



Standard specifications and model numbers

Part No.	Shutoff range (litres/min.)	Auto reset orifice	Bypass
381001	0.4–2.0	none	external
381005	0.4–2.0	none	internal without orifice
381011	0.4–2.0	0.010"	external
381021	0.4–2.0	0.015"	external
381031	0.4–2.0	0.020"	external
381041	0.4–2.0	0.025"	external
381051	0.4–2.0	0.030"	external
381061	0.4–2.0	0.0137"	external
381071	0.4–2.0	0.035"	external
381101	2.0–5.0	none	external
381105	2.0–5.0	none	internal without orifice
381111	2.0–5.0	0.010"	external
381121	2.0–5.0	0.015"	external
381131	2.0–5.0	0.020"	external
381141	2.0–5.0	0.025"	external
381151	2.0–5.0	0.030"	external
381161	2.0–5.0	0.0137"	external
381171	2.0–5.0	0.035"	external



Marshalsea Hydraulics Limited
 Marshalsea House
 Venture Way
 Priorswood Industrial Estate
 Taunton
 Somerset TA2 8DE
 United Kingdom

Tel: 01823 331081
 (+44 1823 331081)
 Fax: 01823 323382
 (+44 1823 323382)

E-mail info@marshalsea.co.uk

www.marshalsea.co.uk

We reserve the right to alter specifications or withdraw products without notice