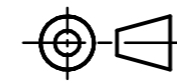


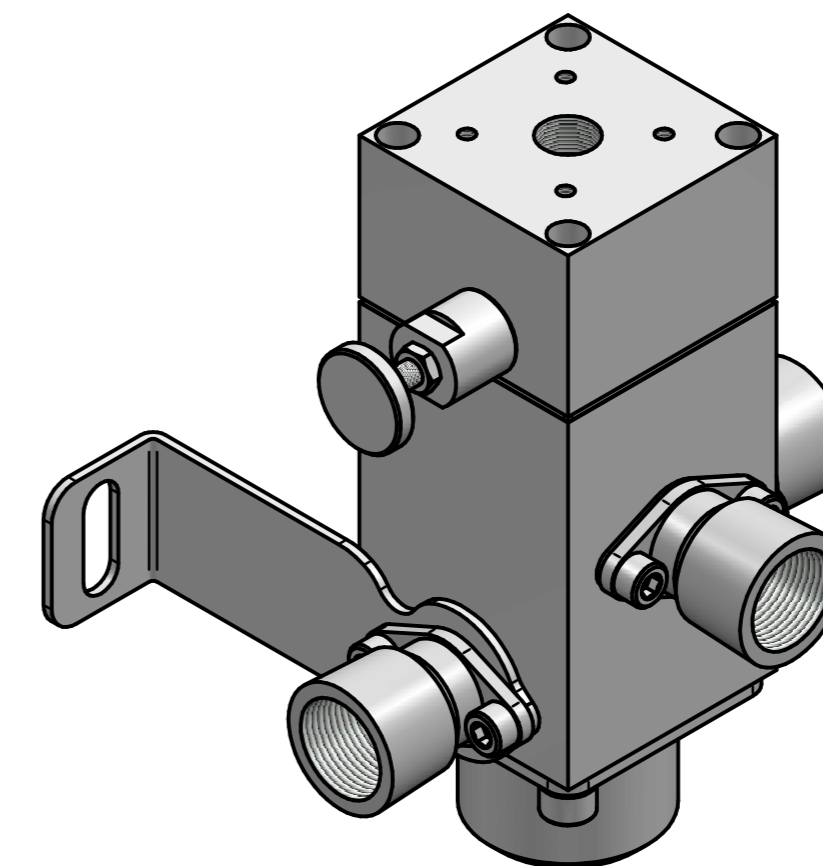
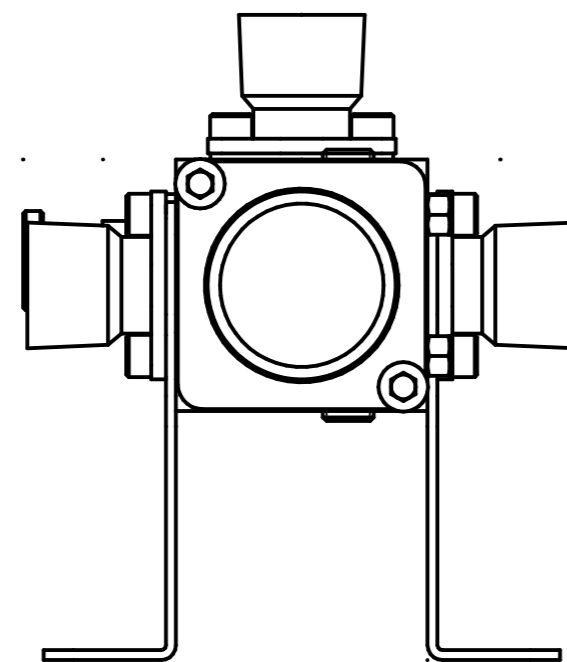
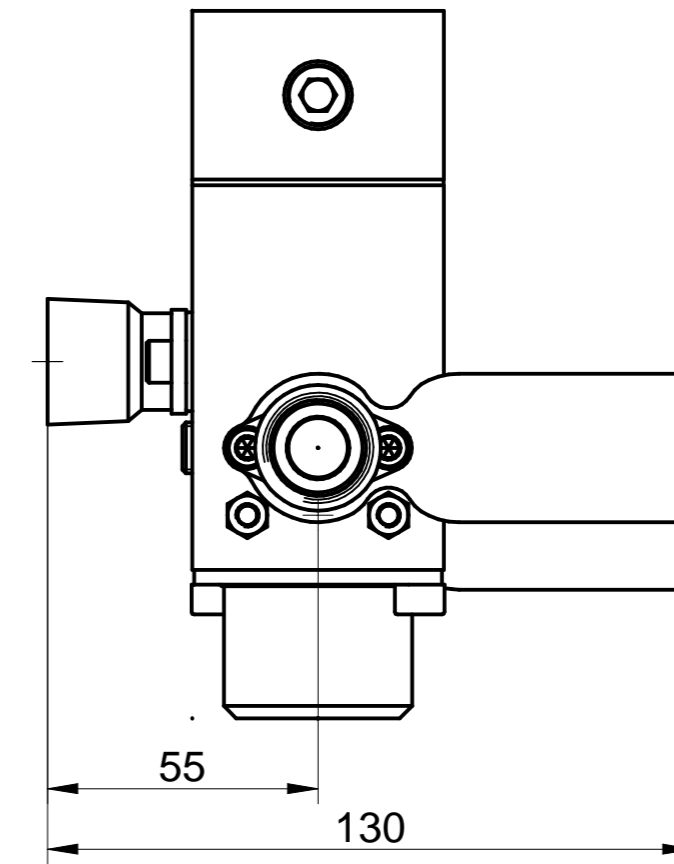
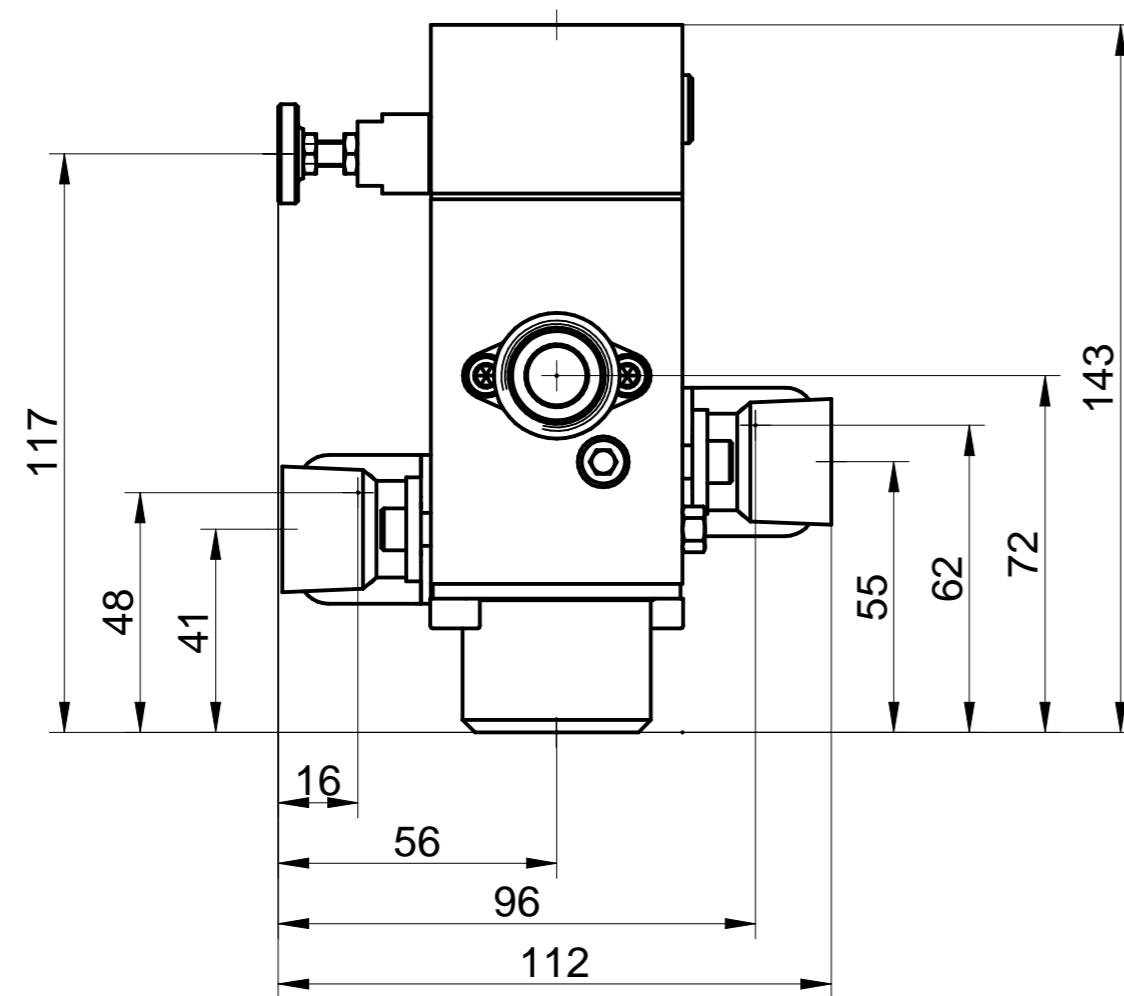
DO NOT SCALE

THIRD ANGLE PROJECTION

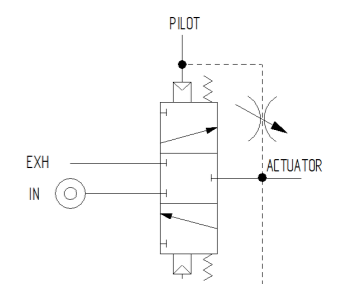


DIMENSIONS IN MILLIMETRES

FIXING SCREW TORQUE SETTINGS	
M4	2.2 Nm
M5	4.3 Nm
M6	7.3 Nm
M8	17.7 Nm
M10	35.5 Nm



SCHEMATIC



REV	DATE	DRAWN	CHKD	REVISION
0	08.07.14	CONF		PRODUCTION ISSUE

NOTES :

- 1.) O-RING MATERIAL CODE 'X'
 - S = NITRILE
 - V = VITON
 - AL = FLUOROSILICONE
 - AG = SILICONE
- 2.) ALL DIMENSIONS NOMINAL UNLESS OTHERWISE STATED.

VALVE TYPES/USED ON

VALVE TYPES/USED ON

Bifold[®]

Bifold Fluidpower Limited
 Bifold Group, Oldham Broadway Business Park, Chadderton, Gr. Manchester OL9 9XA
 Telephone (44) 0161 345 4777 Fax (44) 0161 345 4780

PROJECT TITLE VBP-08-11-X		PROJECT No.	
DRAWING TITLE GENERAL INSTALLATION		DRAWING No. 0-IN0535	
DRAWN CONF	DATE 08.07.14	CHECKED	DATE
APPROVED		DATE	
Copyright © 2000 BIFOLD FLUIDPOWER LTD.		All Rights Reserved C.A.D. Produced Drawing DO NOT Change By Hand	